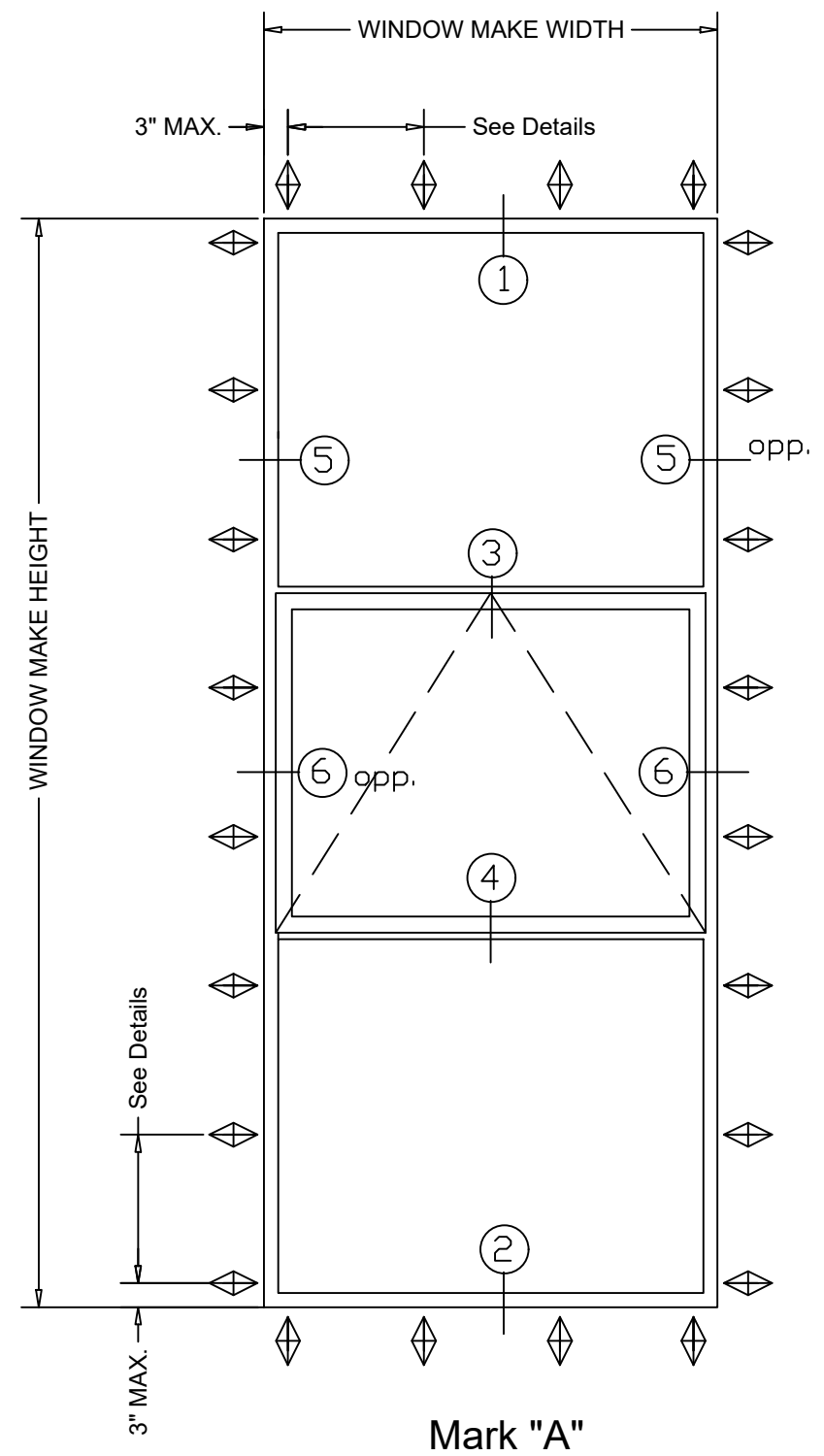


M700 FIXED-AWNING-FIXED WINDOW - INSTALLATION DETAILS

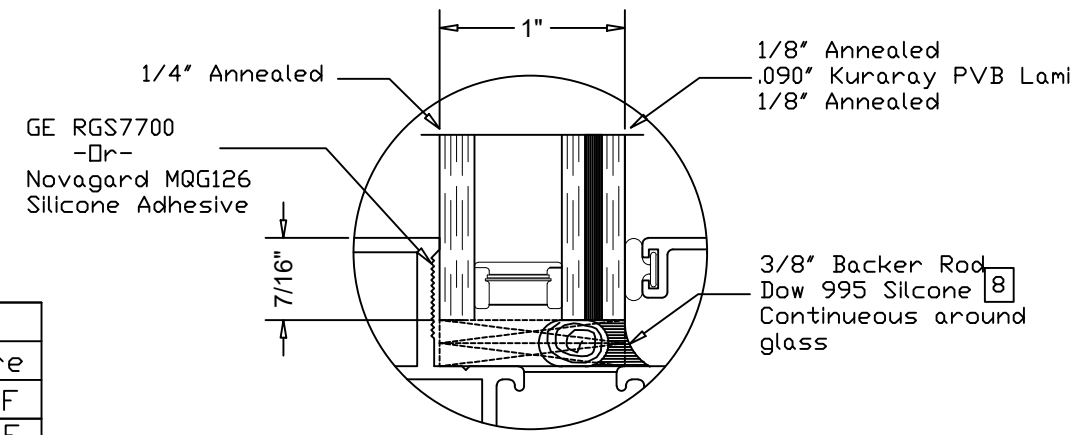


Mark "A"

Maximum				
FW	FH	DLQ-W	DLQ-H	Pressure
60"	144"	N/A	N/A	± 70 PSF
Top Fixed		56 1/4"	46 13/16"	± 70 PSF
Vent		52 5/8"	40 5/8"	± 70 PSF
Btm Fixed		56 1/4"	46 13/16"	± 70 PSF

Notes:

1. Installations depicted satisfy the requirements of the 8th Edition (2023) of the Florida Building Code for Wind Pressures and Overall Sizes shown.
2. As Tested Anchor spacings are shown on the Elevations.
3. Wood Framing are assumed to S-P-F (G=0.42) or denser.
4. Metal stud frames are assumed to be a minimum 18 gauge 33 KSI Steel.
5. Concrete masonry (CMU) shall conform to ASTM C90.
6. Concrete shall be minimum $f_c = 3,000$ psi.
7. Wood Screws shall meet requirements of ANSI/ASME B18.6.1.
8. TEKS screws shall be ASTM A510 Grade 1018 or equivalent.
9. Hilti Kwik-Con+ anchors as specified in NOA 21-0628.20
10. Maximum Frame Shim Space is 1/4" as shown. Shims shall be non-compressible load bearing type.
11. Exterior and Interior shall be sealed according to Shop Drawings.
12. Products are Impact Resistant. Wind Zone 3 - Missile Level D.
13. Not for use in High Velocity Hurricane Zone (HVHZ).
14. Sealing and flashing strategies and overall water infiltration performance of the installed product are by others and not addressed by this document.



Contents:

- Sheet 1 of 8 - Elevations
- Sheet 2 of 8 - Nail Fin install - Wood
- Sheet 3 of 8 - Nail Fin install - Alternate Conditions
- Sheet 4 of 8 - Receptor Install - Wood
- Sheet 5 of 8 - Receptor Install - Alternate Conditions
- Sheet 6 of 8 - Trim & Clip - Wood
- Sheet 7 of 8 - Trim & Clip - Alternate Conditions
- Sheet 8 of 8 - Bill of Materials

Tanya A. Dolby, P.E.
Intertek-ATI
130 Derry Ct., York, PA 17406
(717) 764-7700
Project Q3930.01-122-34

M700 IMPACT
FIXED-AWNING-FIXED
INSTALLATION INSTRUCTIONS

Project Name:

GENERAL NOTES

QUAKER WINDOW PRODUCTS
WILL NOT BE RESPONSIBLE
FOR FIELD MEASUREMENT,
QUANTITIES, & INSTALLATION
DESIGN. CONTRACTOR MUST
VERIFY ALL DIMENSIONS.

PHONE (573)-744-5211
FAX (573)-744-5586
COMMERCIAL
www.quakerwindows.com

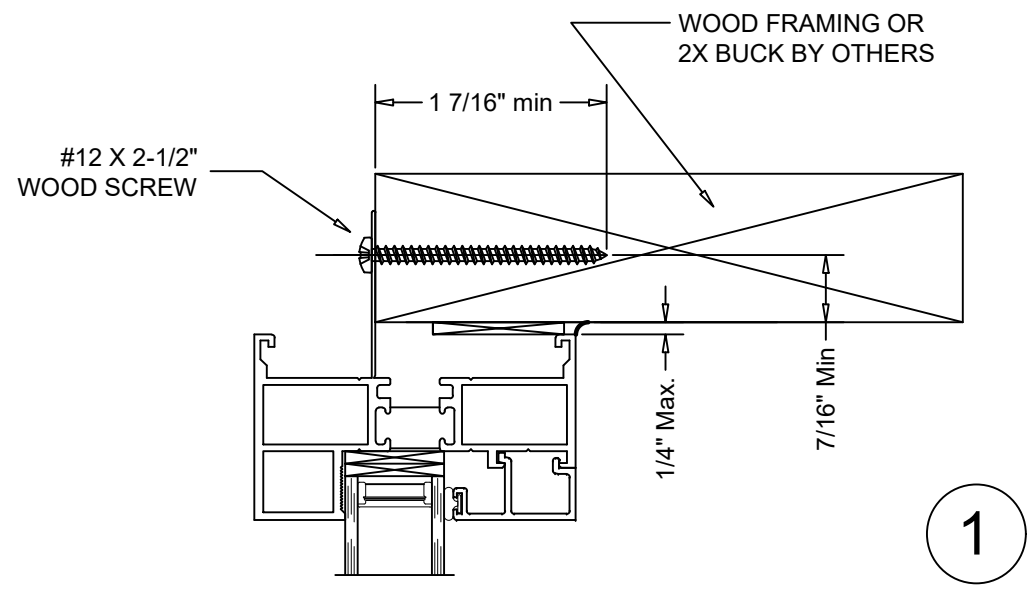
Scale: NONE
504 Highway 63 South
Freeburg, MO 65035
drafting@quakerwindows.com

Sheet #: 1 of 8

Drawn By: BUD
Date: 10-05-2023

PHONE (573)-744-5211
FAX (573)-744-5586
COMMERCIAL
www.quakerwindows.com

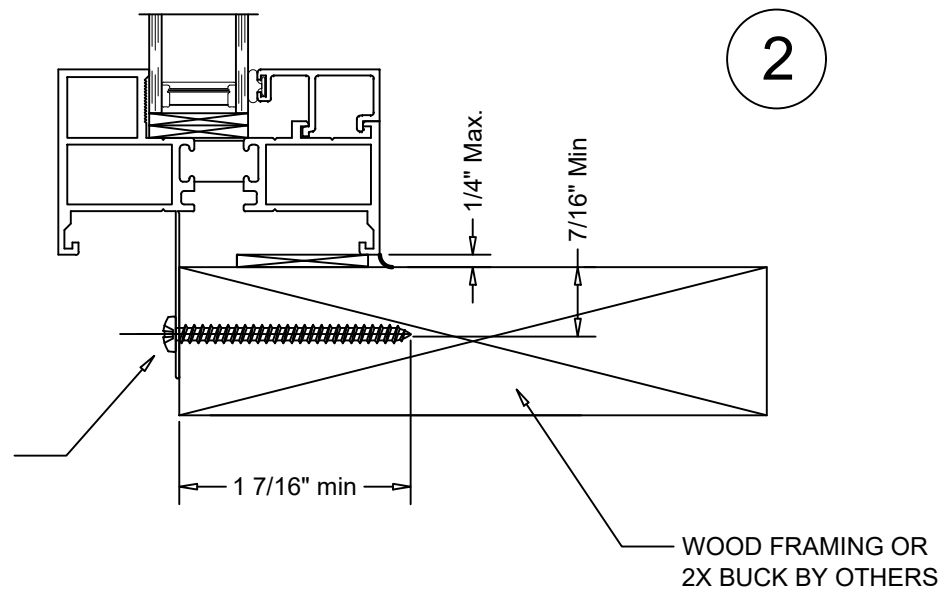
M700 FIXED-AWNING-FIXED WINDOW - NAIL FIN - WOOD SUBSTRATE



EXTERIOR

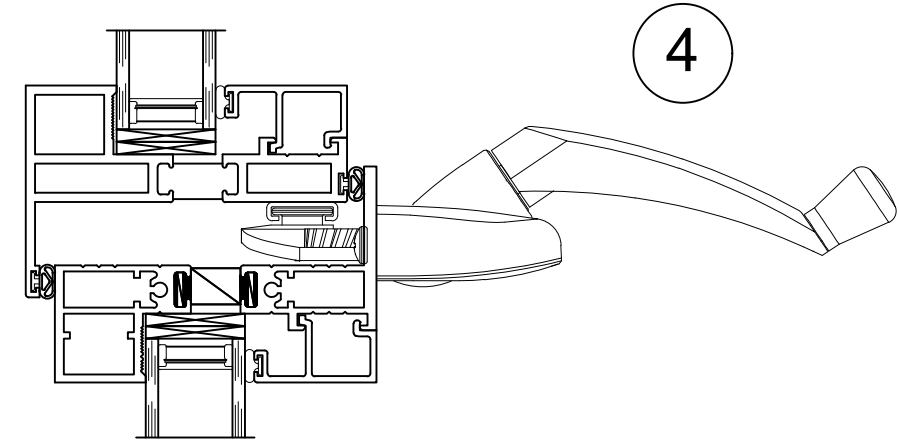
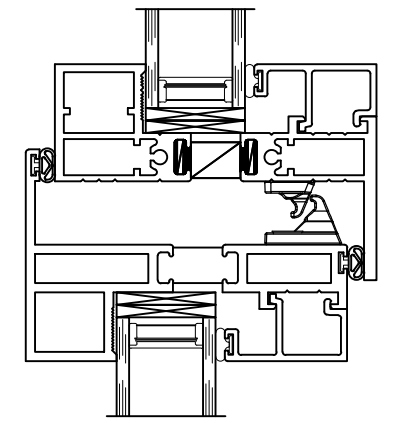
INTERIOR

Anchor Spacing	
Head & Sill	14" O.C.
Jambs	12" O.C.



VERTICAL SECTION DETAIL

WOOD FRAMING INSTALLATION



Project Name: **M700 F/A/F IMPACT NAIL FIN**
INSTALLATION INSTRUCTIONS

GENERAL NOTES
 Description: QUAKER WINDOW PRODUCTS WILL NOT BE RESPONSIBLE FOR FIELD MEASUREMENT, QUANTITIES, & INSTALLATION DESIGN. CONTRACTOR MUST VERIFY ALL DIMENSIONS.

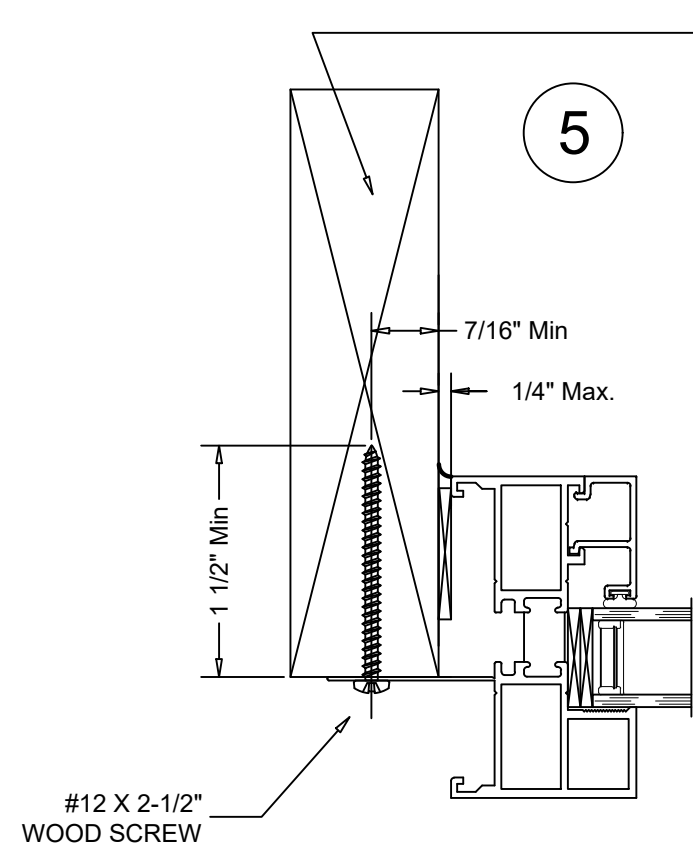
PHONE (573)-744-5211
 FAX (573)-744-5586
 COMMERCIAL
 FAX (573)-744-5822
 www.quakerwindows.com
 Scale: NONE
 504 Highway 63 South
 Freeburg, MO 65035
 drafting@quakerwindows.com
 Sheet #: 2 of 8

Tanya A. Dolby, P.E.
 Intertek-ATI
 130 Derry Ct., York, PA 17406
 (717) 764-7700
 Project Q3930.01-122-34



Drawn By: BUD
 Date: 10-05-2023

M700 FIXED-AWNING-FIXED WINDOW - NAIL FIN - WOOD SUBSTRAIT



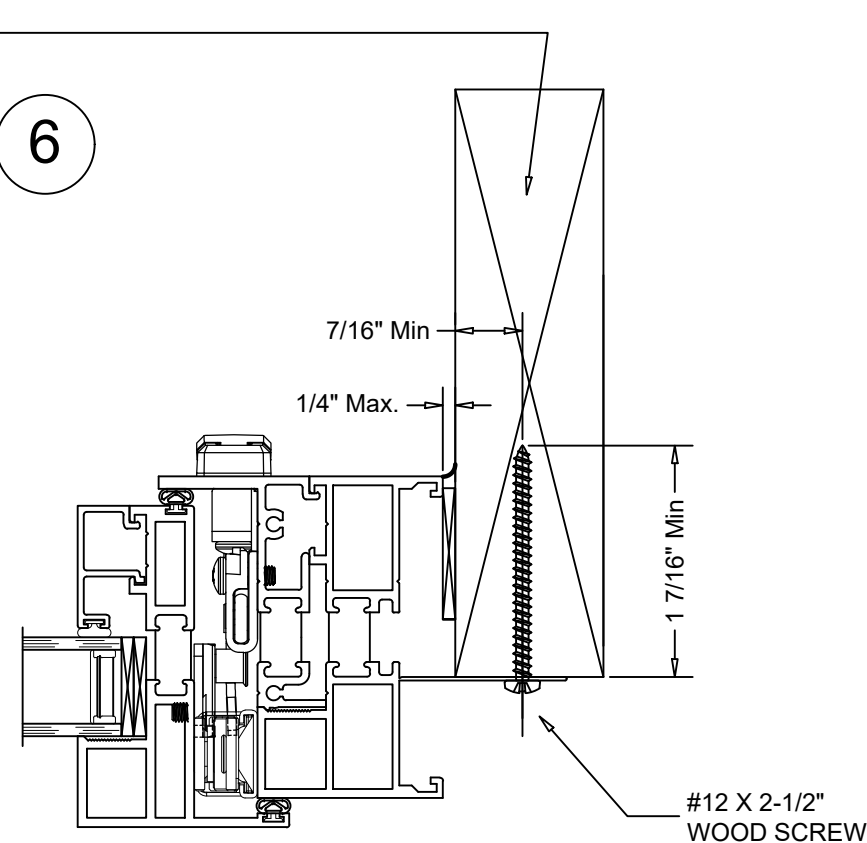
WOOD FRAMING OR
2X BUCK BY OTHERS

5

INTERIOR

Anchor Spacing	
Head & Sill	14" O.C.
Jambs	12" O.C.

6

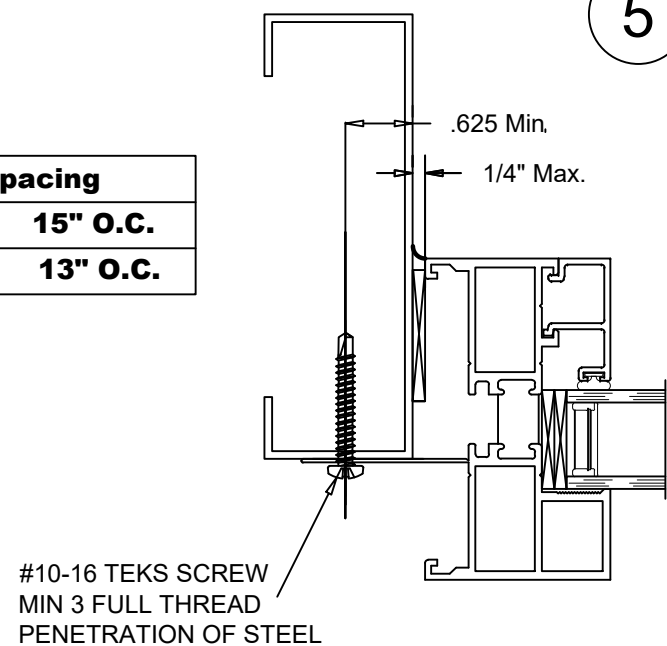


EXTERIOR

Tanya A. Dolby, P.E.
Intertek-ATI
130 Derry Ct., York, PA 17406
(717) 764-7700
Project Q3930.01-122-34

Anchor Spacing	
Head & Sill	15" O.C.
Jambs	13" O.C.

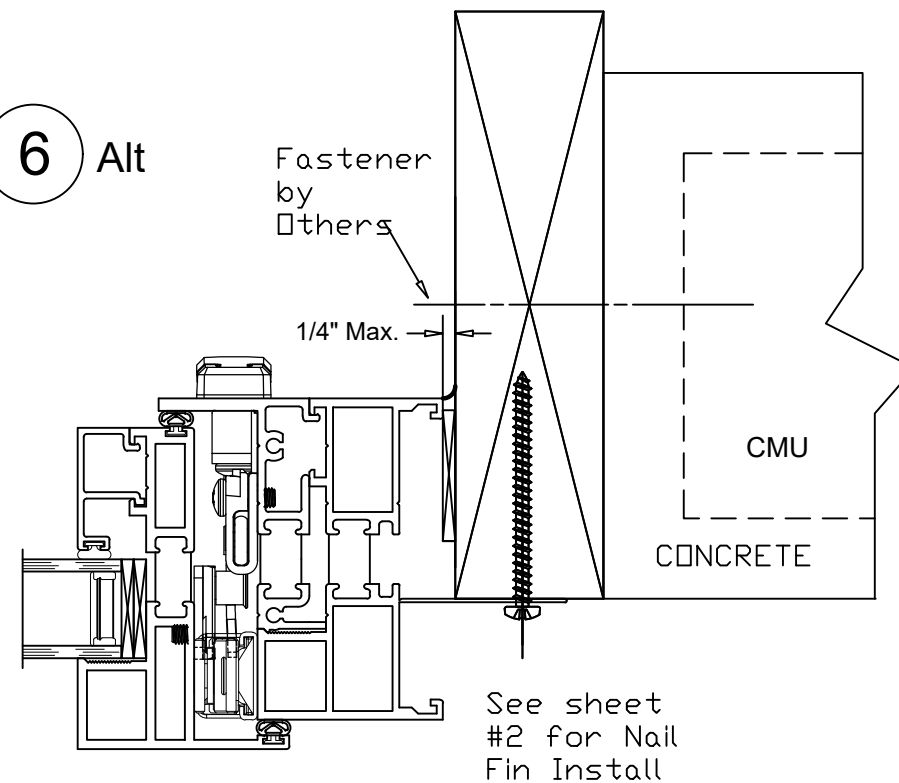
5 Alt



#10-16 TEKS SCREW
MIN 3 FULL THREAD
PENETRATION OF STEEL

HORIZONTAL SECTION DETAIL
WOOD FRAMING INSTALLATION

6 Alt



See sheet
#2 for Nail
Fin Install

Project Name:
**M700 F/A/F IMPACT
NAIL FIN**
INSTALLATION INSTRUCTIONS

GENERAL NOTES
QUAKER WINDOW PRODUCTS
WILL NOT BE RESPONSIBLE
FOR FIELD MEASUREMENT,
QUANTITIES, & INSTALLATION
DESIGN. CONTRACTOR MUST
VERIFY ALL DIMENSIONS.

PHONE (573)-744-5211
FAX (573)-744-5586
COMMERCIAL
FAX (573)-744-5822
www.quakerwindows.com
Scale: NONE
504 Highway 63 South
Freeburg, MO 65035
drafting@quakerwindows.com
Sheet #: 3 of 8
Drawn By: BUD
Date: 10-05-2023



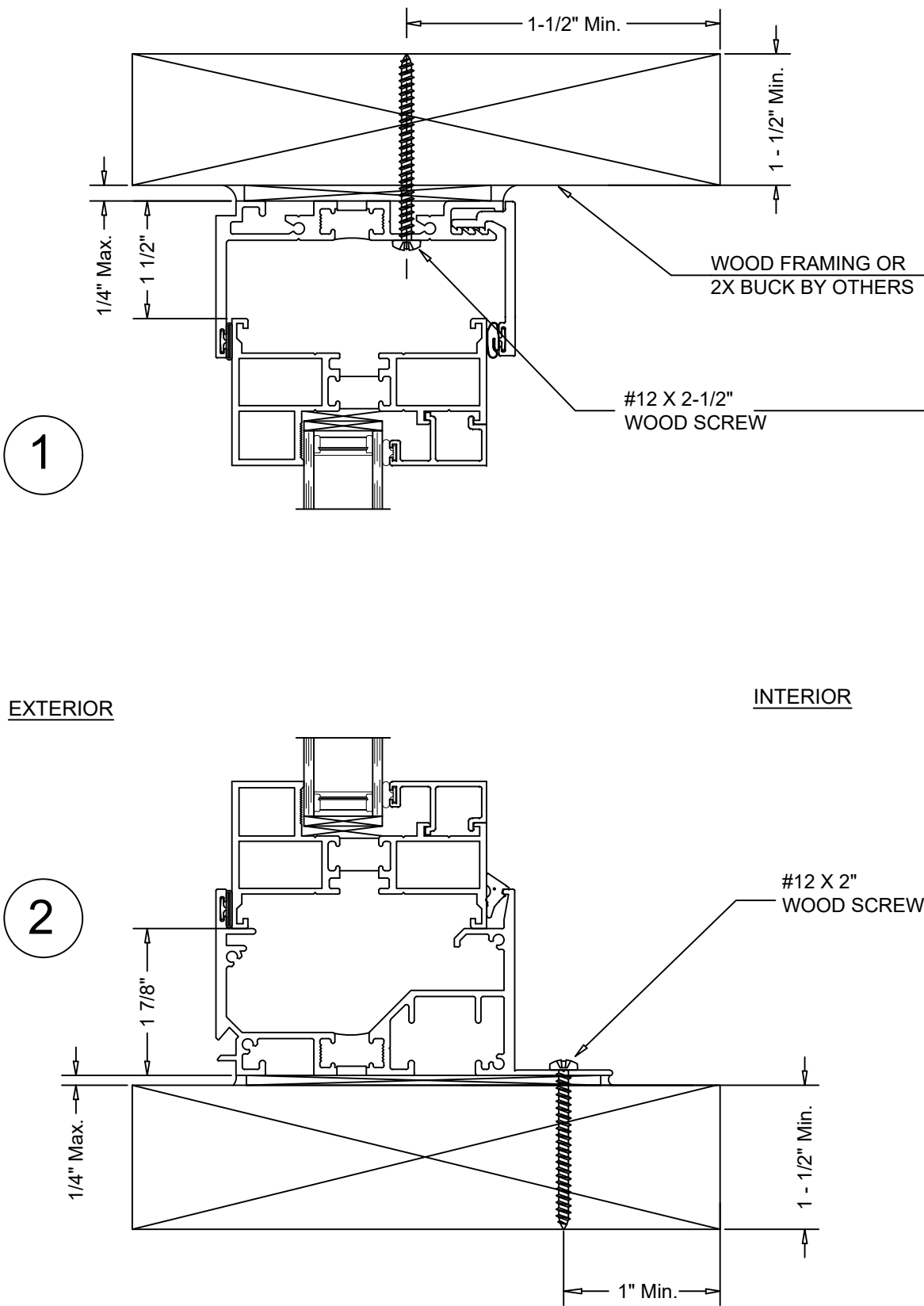
M700 FIXED-AWNING-FIXED WINDOW - RECEPTOR - WOOD SUBSTRATE

1

EXTERIOR

2

EXTERIOR

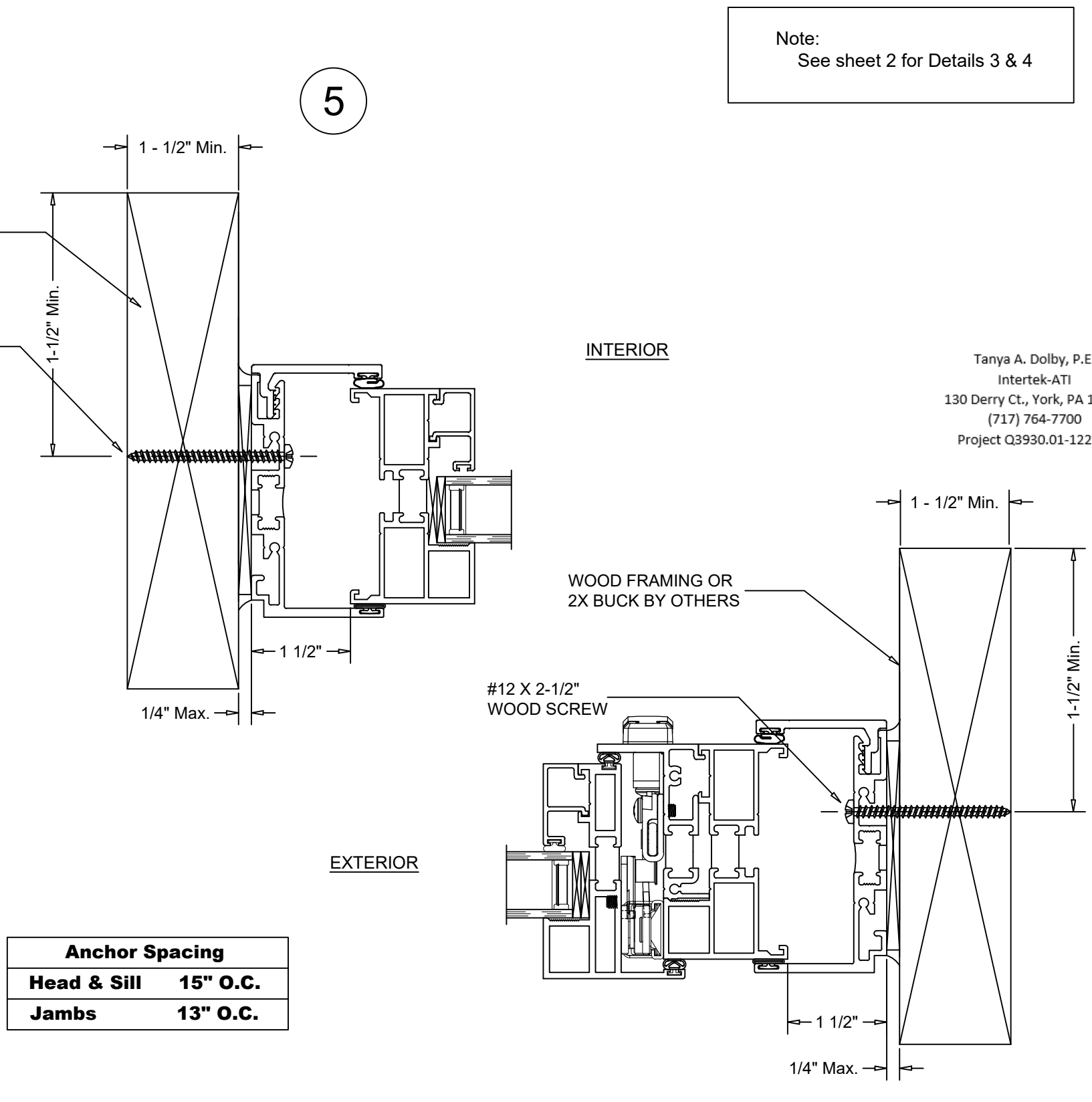


VERTICAL SECTION DETAIL
WOOD FRAMING INSTALLATION

5

EXTERIOR

Anchor Spacing	
Head & Sill	15" O.C.
Jams	13" O.C.



HORIZONTAL SECTION DETAIL
WOOD FRAMING INSTALLATION

Note:
See sheet 2 for Details 3 & 4

Tanya A. Dolby, P.E.
Intertek-ATI
130 Derry Ct., York, PA 17406
(717) 764-7700
Project Q3930.01-122-34

6

GENERAL NOTES

QUAKER WINDOW PRODUCTS
WILL NOT BE RESPONSIBLE
FOR FIELD MEASUREMENT,
QUANTITIES, & INSTALLATION
DESIGN. CONTRACTOR MUST
VERIFY ALL DIMENSIONS.

PHONE (573)-744-5211
FAX (573)-744-5586
COMMERCIAL
FAX (573)-744-5822
www.quakerwindows.com

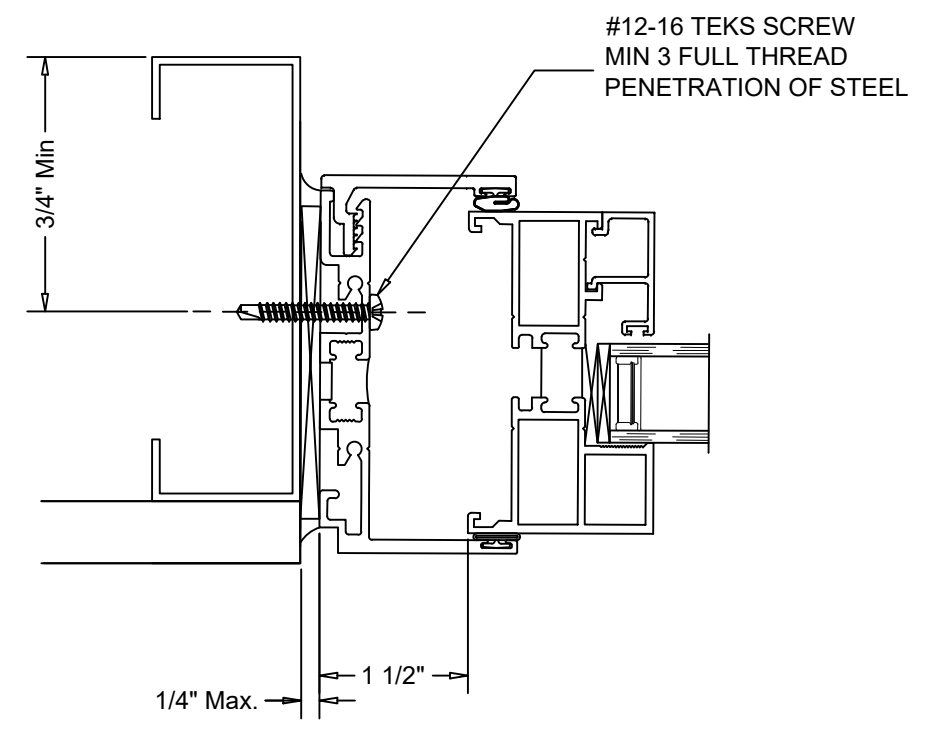
Scale: NONE
504 Highway 63 South
Freeburg, MO 65035
drafting@quakerwindows.com

Drawn By: BUD
Date: 10-05-2023

Project Name:
**M700 F/A/F IMPACT
RECEPTOR**
INSTALLATION INSTRUCTIONS

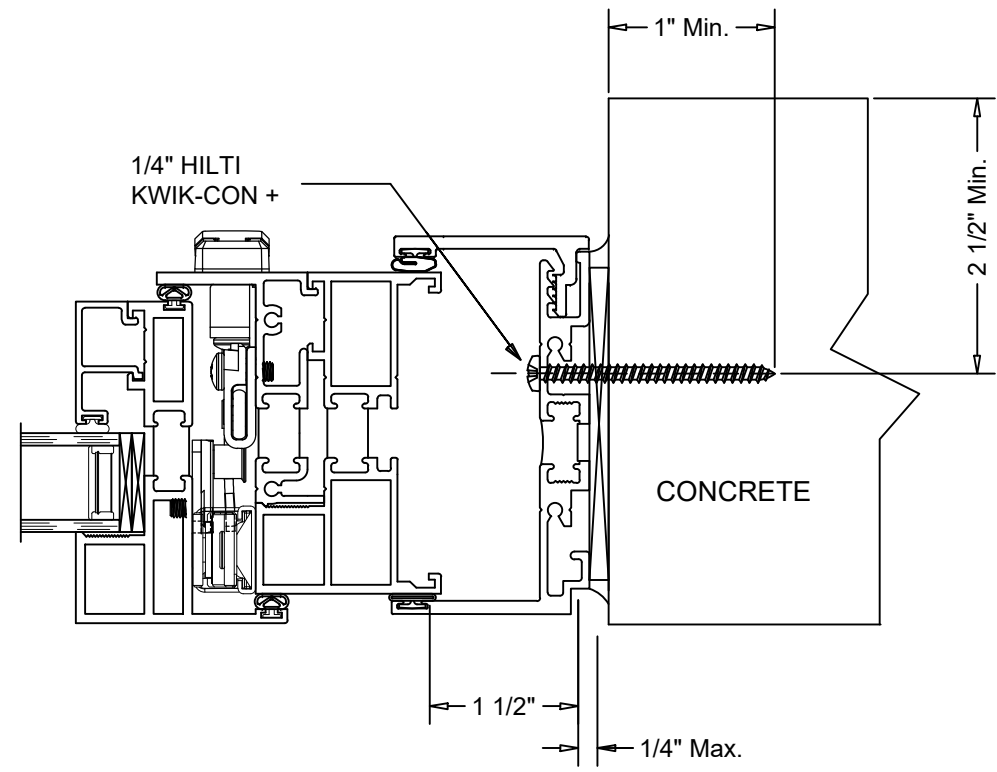
M700 FIXED-AWNING-FIXED WINDOW - RECEPTOR - ADDITIONAL SUBSTRATES

5 Alt



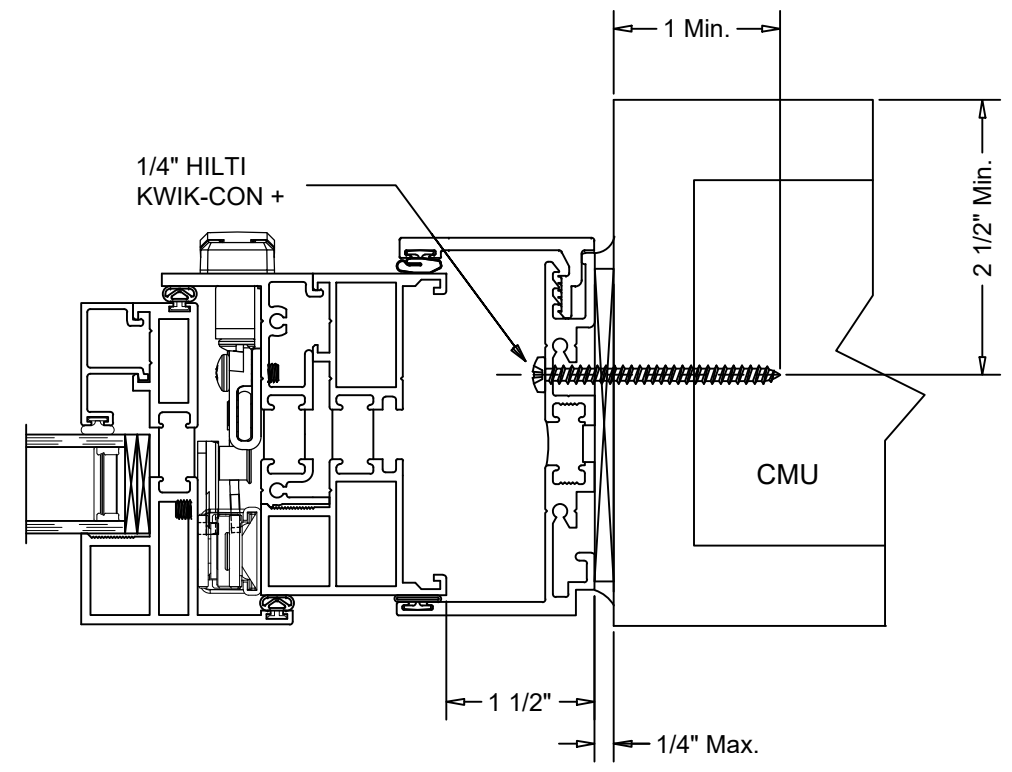
Anchor Spacing	
Head & Sill	15" O.C.
Jambs	13" O.C.

6 Alt



Anchor Spacing	
Head & Sill	15" O.C.
Jambs	13" O.C.

6 Alt



Tanya A. Dolby, P.E.
Intertek-ATI
130 Derry Ct., York, PA 17406
(717) 764-7700
Project Q3930.01-122-34

Project Name: **M700 F/A/F IMPACT RECEPTOR**
INSTALLATION INSTRUCTIONS

GENERAL NOTES
QUAKER WINDOW PRODUCTS WILL NOT BE RESPONSIBLE FOR FIELD MEASUREMENT, QUANTITIES, & INSTALLATION DESIGN. CONTRACTOR MUST VERIFY ALL DIMENSIONS.

PHONE (573)-744-5211
FAX (573)-744-5586
COMMERCIAL
FAX (573)-744-5822
www.quakerwindows.com

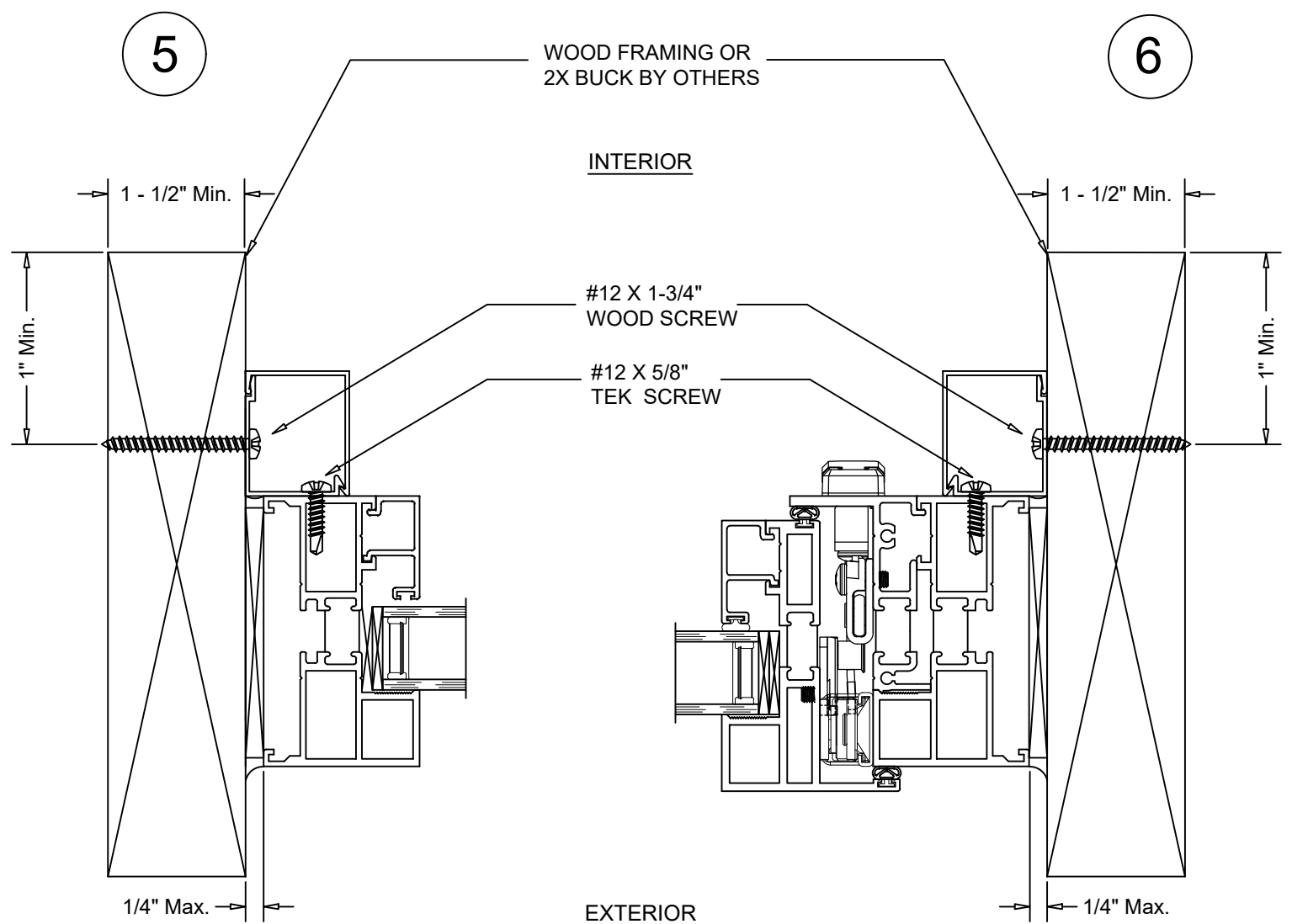
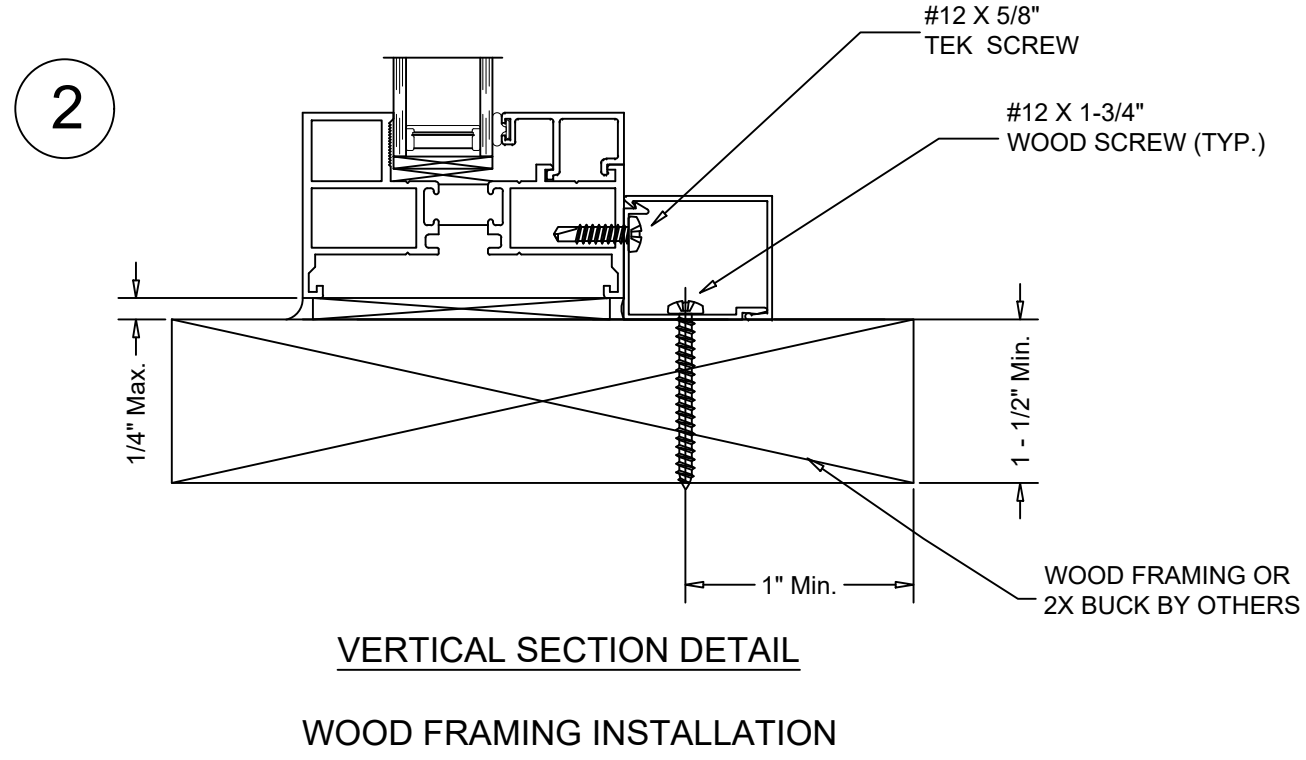
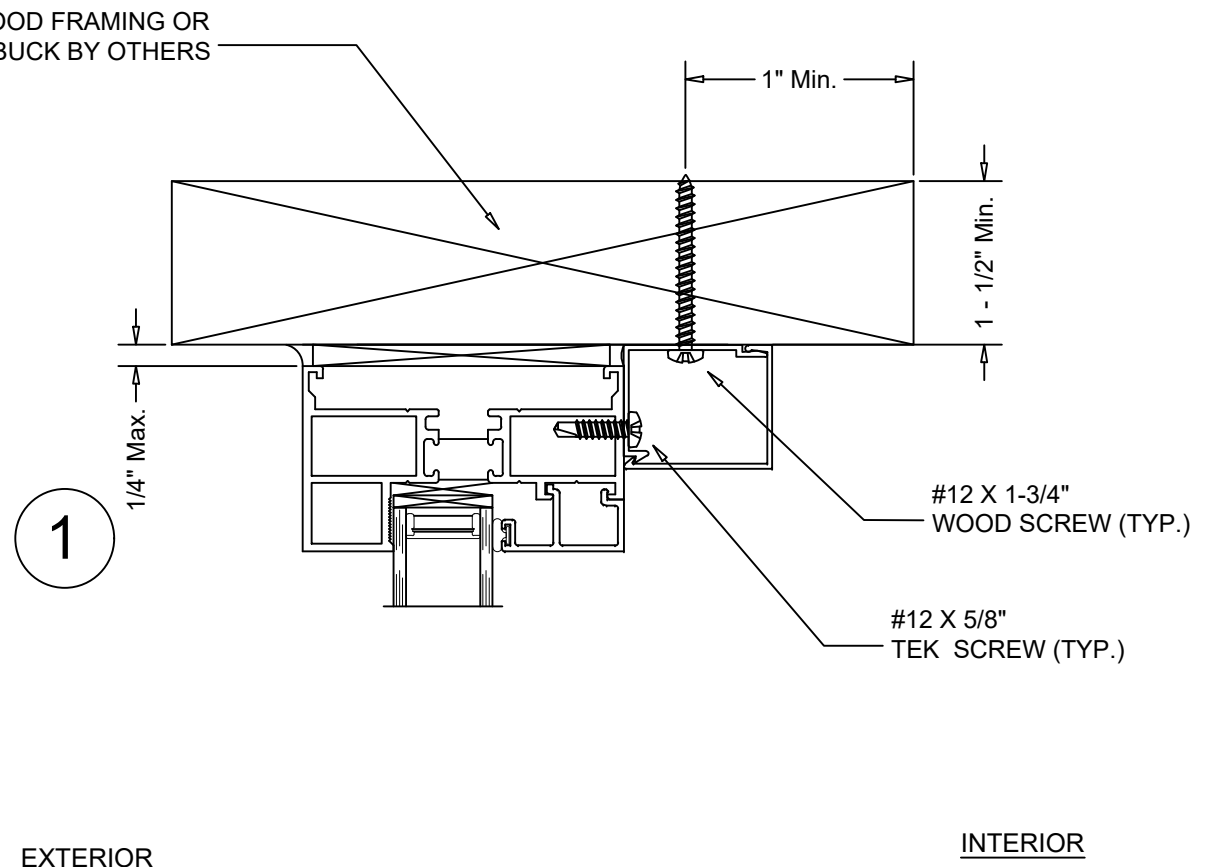
Scale: NONE
504 Highway 63 South
Freeburg, MO 65035
drafting@quakerwindows.com

Drawn By: **BUD**
Date: **10-05-2023**

Sheet #: **5 of 8**



M700 FIXED-AWNING-FIXED WINDOW - TRIM & CLIP - WOOD SUBSTRATE



Anchor Spacing	
Head & Sill	15" O.C.
Jams	13" O.C.

Note:
See sheet 2 for Details 3 & 4

Tanya A. Dolby, P.E.
Intertek-ATI
130 Derry Ct., York, PA 17406
(717) 764-7700
Project Q3930.01-122-34

Project Name: **M700 F/A/F IMPACT TRIM & CLIP**

GENERAL NOTES

QUAKER WINDOW PRODUCTS WILL NOT BE RESPONSIBLE FOR FIELD MEASUREMENT, QUANTITIES, & INSTALLATION DESIGN. CONTRACTOR MUST VERIFY ALL DIMENSIONS.

PHONE (573)-744-5211
FAX (573)-744-5586
COMMERCIAL
FAX (573)-744-5822
www.quakerwindows.com

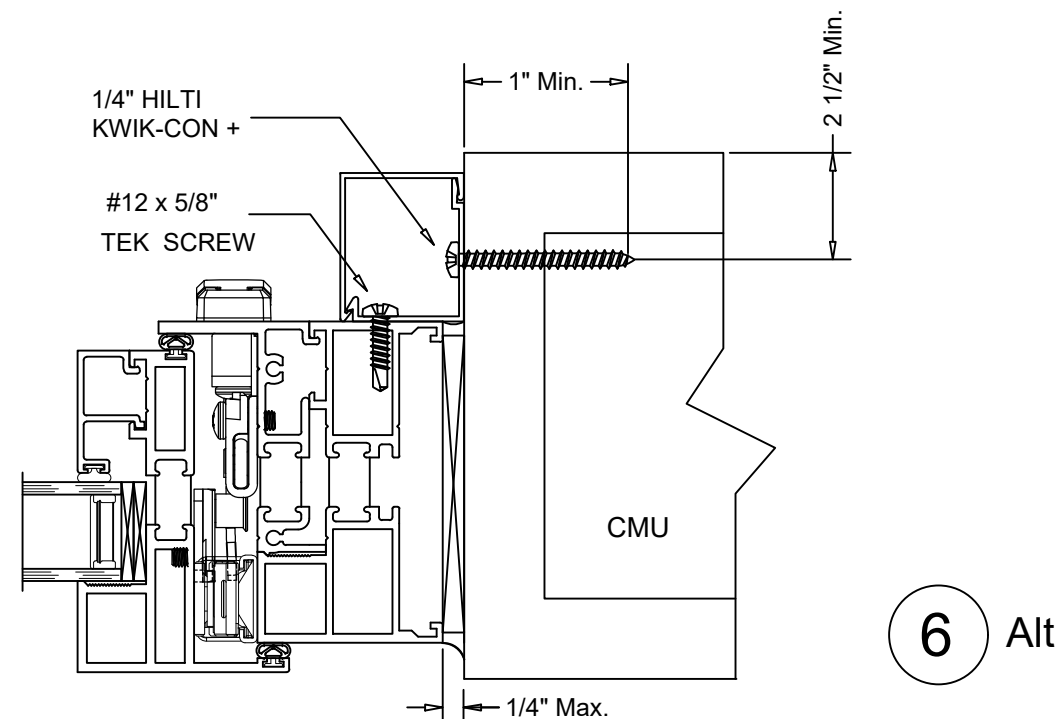
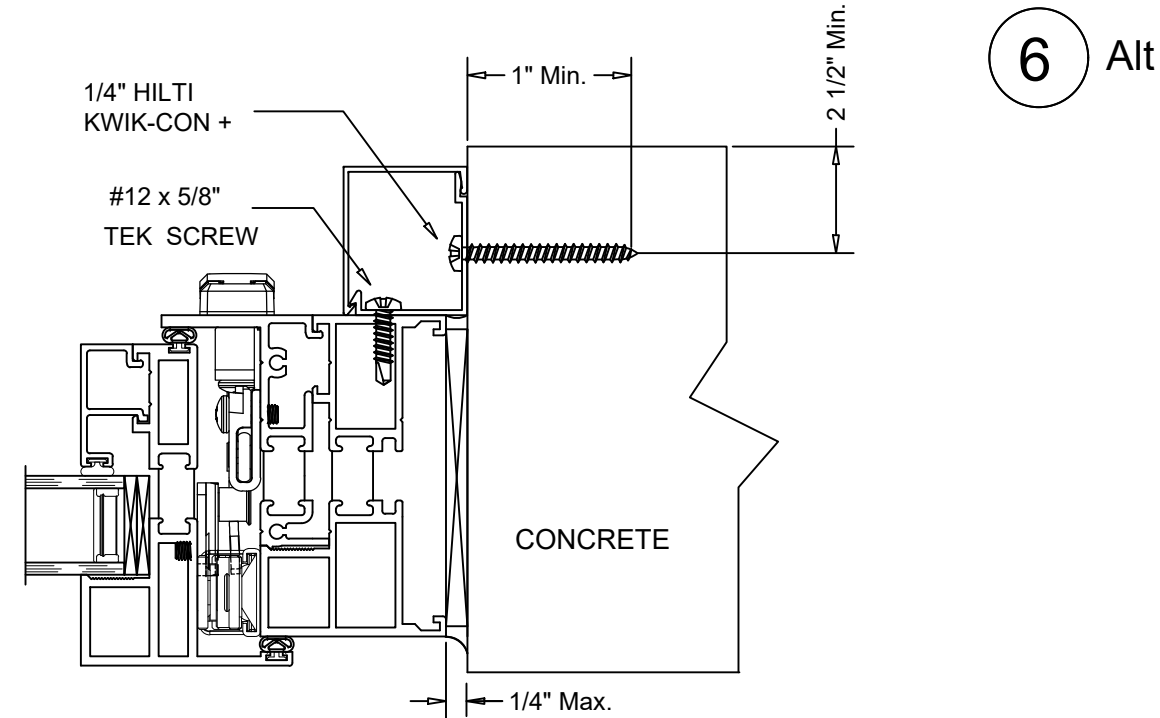
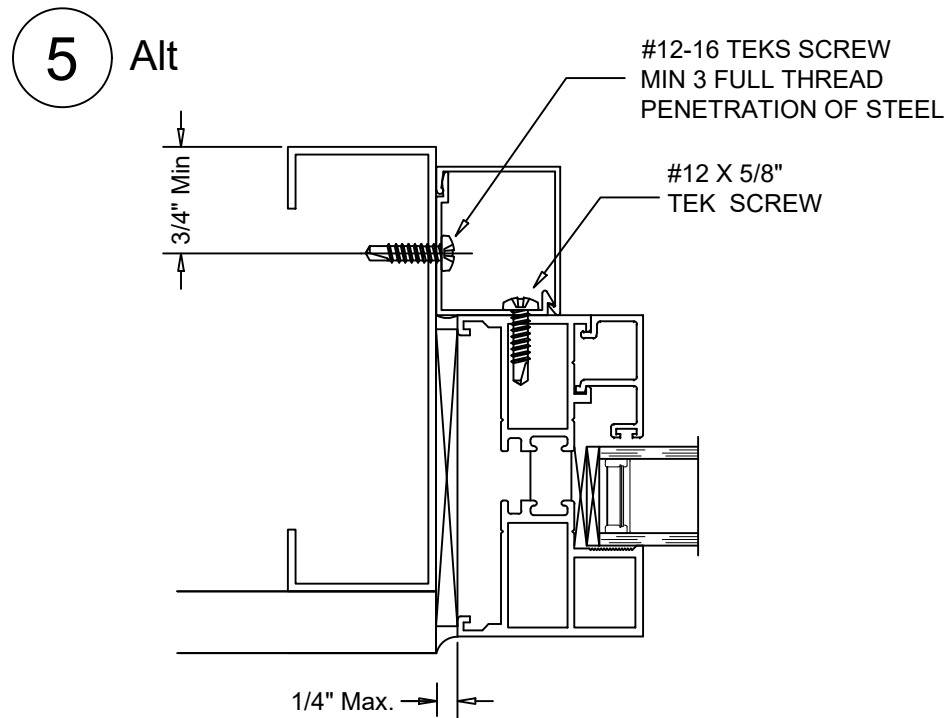
Scale: NONE
Sheet #: 6 of 8

504 Highway 63 South
Freeburg, MO 65035
drafting@quakerwindows.com

Drawn By: BUD
Date: 10-05-2023

QUAKER
COMMERCIAL WINDOW AND DOOR

M700 FIXED-AWNING-FIXED WINDOW - TRIM & CLIP - ADDITIONAL SUBSTRATES



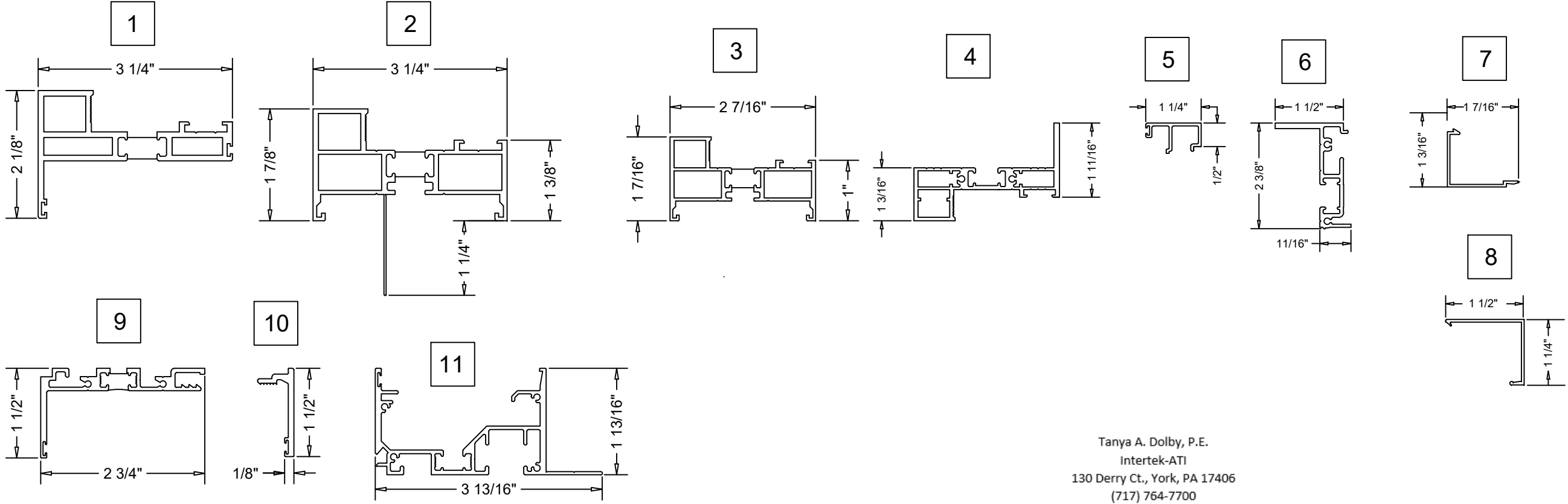
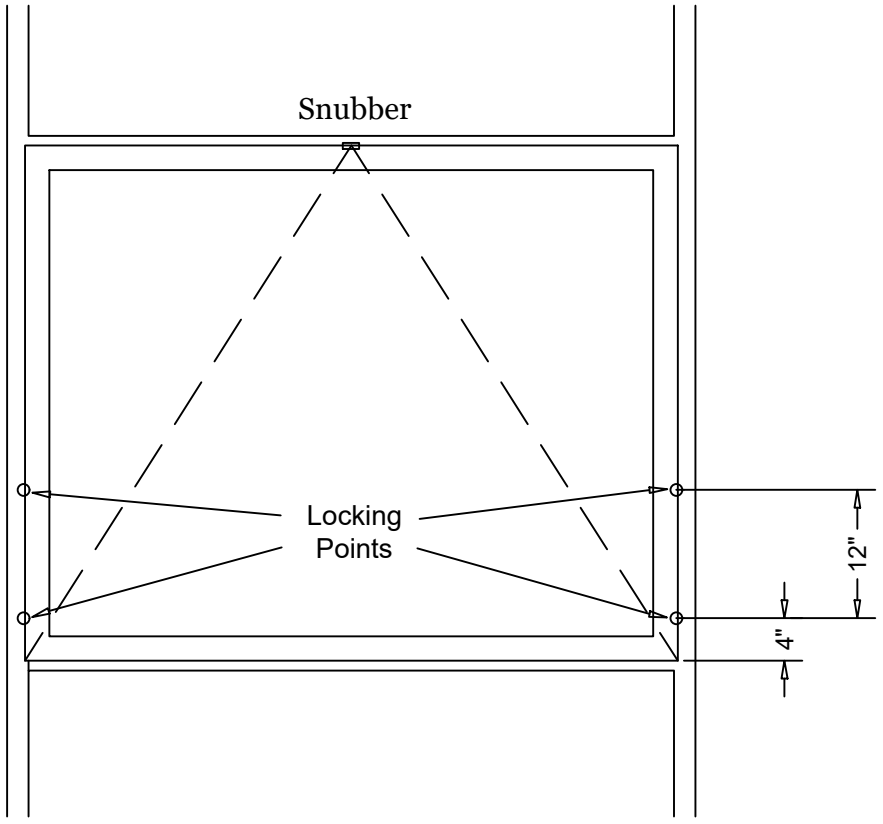
Anchor Spacing	
Head & Sill	15" O.C.
Jambs	13" O.C.

Tanya A. Dolby, P.E.
 Intertek-ATI
 130 Derry Ct., York, PA 17406
 (717) 764-7700
 Project Q3930.01-122-34

Project Name: M700 F/A/F IMPACT TRIM & CLIP	
GENERAL NOTES	
QUAKER WINDOW PRODUCTS WILL NOT BE RESPONSIBLE FOR FIELD MEASUREMENT, QUANTITIES, & INSTALLATION DESIGN. CONTRACTOR MUST VERIFY ALL DIMENSIONS.	
PHONE (573)-744-5211 FAX (573)-744-5586 COMMERCIAL FAX (573)-744-5822 www.quakerwindows.com	Scale: NONE 504 Highway 63 South Freeburg, MO 65035 drafting@quakerwindows.com
Drawn By: BUD Date: 10-05-2023	Sheet #: 7 of 8

M700 FIXED-AWNING-FIXED WINDOW - BILL OF MATERIAL

Bill of Materials				
NO.	Description	Part Number	Material	Manufacturer
1	Sash	M21191	Aluminum 6063-T5	Tower Extrusions
2	Frame w/Nail Fin	M52730	Aluminum 6063-T5	BRT Extrusions
3	Frame	M52731	Aluminum 6063-T5	BRT Extrusions
4	Fixed/Oper Horizontal	M21214	Aluminum 6063-T5	Tower Extrusions
5	Glazing Bead	M21165	Aluminum 6063-T5	Tower Extrusions
6	Frame Adapter	M16751	Aluminum 6063-T5	Tower Extrusions
7	Trim Base	M15266	Aluminum 6063-T5	Tower Extrusions
8	Trim Cover	M15267	Aluminum 6063-T5	Tower Extrusions
9	Receptor Head & Jamb	M17541	Aluminum 6063-T5	BRT Extrusions
10	Receptor Clip	M18065	Aluminum 6063-T5	BRT Extrusions
11	Receptor Sill	M17539	Aluminum 6063-T5	BRT Extrusions
	Backbedding	MQP126	Silicone	NovaGard
	Structural Sealant	Dow Corning 995	Silicone	Dow Corning
	Maxim MP Lock Assy	24-40-02-001		Truth
	16.5 Tie-Bar 2pt	15070.92		Truth
	Keeper	33703.00.0500		Truth
	24" 4-Bar Hinge	220		Advantage Hardware
	11" Awn Operator	55-10-02-111		Truth
	Snubber	23555.62		Truth



Tanya A. Dolby, P.E.
 Intertek-ATI
 130 Derry Ct., York, PA 17406
 (717) 764-7700
 Project Q3930.01-122-34

Project Name: M700 F/A/F IMPACT
 BILL OF MATERIAL
 INSTALLATION INSTRUCTIONS

GENERAL NOTES

QUAKER WINDOW PRODUCTS
 WILL NOT BE RESPONSIBLE
 FOR FIELD MEASUREMENT,
 QUANTITIES, & INSTALLATION
 DESIGN. CONTRACTOR MUST
 VERIFY ALL DIMENSIONS.

PHONE (573)-744-5211
 FAX (573)-744-5586
 COMMERCIAL
 FAX (573)-744-5822
 www.quakerwindows.com

Scale: NONE
 504 Highway 63 South
 Freeburg, MO 65035
 drafting@quakerwindows.com

Drawn By: BUD
 Date: 10-05-2023

Sheet #: 8 of 8